

## 300-115 – 3NM 360° GREEN LIGHT

The LED light consists of a single array of LEDs that produces light in the specified angle.

The precision machined 6082 aluminium housing with an anodized surface makes the light a rugged and durable housing for the LEDs and electronics contained within.

The interior is completely filled with a special potting resin making it water- and vibration proof.

Produced in our in-house manufacturing facility to meet and exceed exacting standards such as EN14744 and UL1104, under a quality management system continuously surveyed by Lloyds Register Quality Assurance.

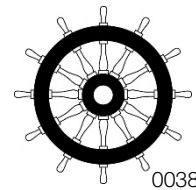
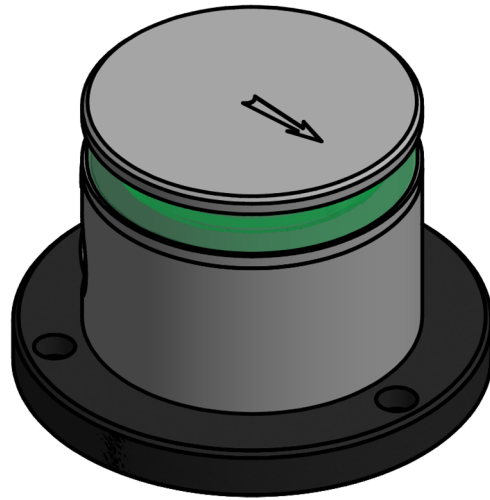
Each light is subjected to final testing for a minimum of 16 hours of continuous operation bringing the total test time beyond 24 hours.

This navigation light is in compliance with the following standards:

- COLREG72
- EN14744
- IEC 60945
- USCG (UL1104)

Together with an appropriate Control & Monitoring System, such as Lopolight's own NLC\* this navigation light can form part of an IMO MSC 253(83), LY3 and LY4 compliant system.

\*) information found here: [www.lopolight.com/NlcPanel](http://www.lopolight.com/NlcPanel)



## Technical specifications

Vessel size: >50m (>164')

Visibility: >3 nautical miles

Intensity: >15 cd

Power consumption; 5,8 Watt; Current @ 12 VDC: 0,48A - Current @ 24 VDC: 0,24A

Operating voltage: 10 - 32 V DC

Mounting: **Horizontal**, see K-Lock sheet for options

Number of LEDs: 28

Light colour: **Green**

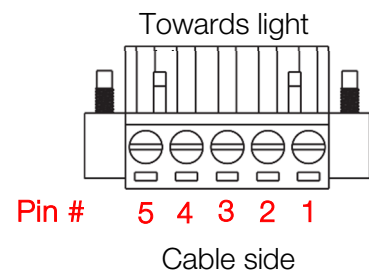
Operating temperature: -25°C to +55°C

IP Rating: **IP68**

Connection: 4 M20x1.5 thread borings for cable glands located on the side and bottom (see drawing for details).

Cabling: 1 cable consisting of 2 x 0,5 mm<sup>2</sup> leads, a screen and insulation.

- Pin 1 - Red lead = Power
- Pin 2 - Black lead = GND
- Pin 3 – No lead = Not used
- Pin 4 - No lead = Not used
- Pin 5 - No lead = Not used



Certification: The product is certified by Lloyds (LR) and certificates can be found on [www.lopolight.com](http://www.lopolight.com) under certificates.

The product is in compliance with the following standards:  
COLREG72/ EN14744 / IEC 60945 / USCG/ UL1104

Dimensions: **See drawing**

Weight: **0,9kg**

## Warranty:

Lopolight products are covered by a 5-year limited warranty.

Warranty conditions can be found on [www.lopolight.com/Home/Service](http://www.lopolight.com/Home/Service)

## Included in the standard package:

- 1 pcs. Navigation light on 400-034 aluminium base
- 1 pcs. HDPE base plate
- 1 pcs. M20x1.5 cable gland (cable diameters 7 – 13mm)
- 3 pcs. M20x1.5 blinding caps
- 1 pcs. 5-pin connector plug
- Installation instructions

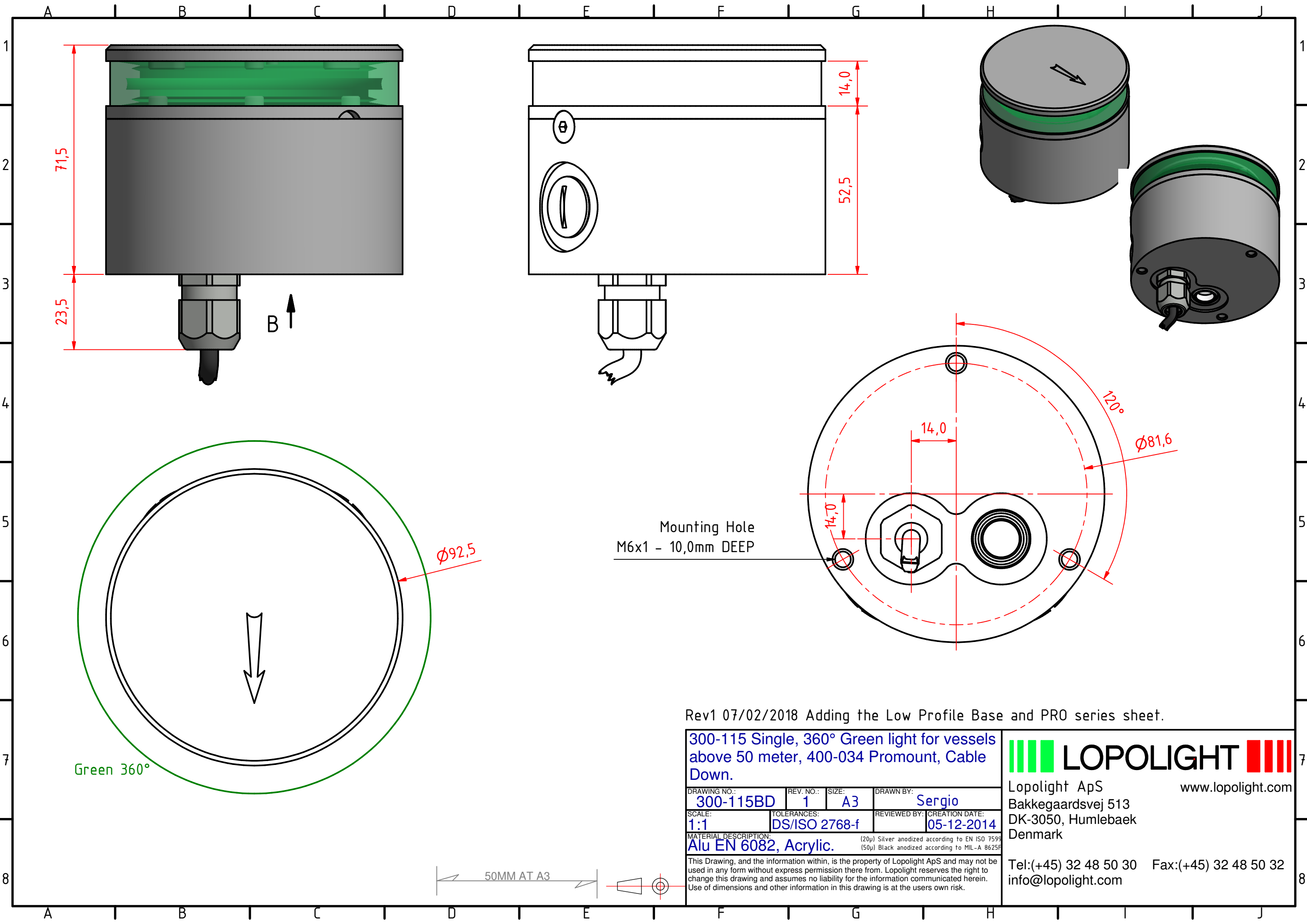
## Ordering information

BASE OPTION	PART NUMBER SILVER FINISH	PART NUMBER BLACK FINISH*
400-034 (drawing BD - ED) CSCD base	309-115	300-115-B
400-035 (drawing FD - GD) CD base	300-115-CD	300-115-B-CD

\*) The black finish option has a tougher hard coat anodizing of 50µ thickness

## Cabling options

Cable length	Part number
2m / 6.6' 2-lead cable with connector	400-300-2M
4m / 13.1' 2-lead cable with connector	400-300-4M
6m / 19.7' 2-lead cable with connector	400-300-6M
10m / 32.8' 2-lead cable with connector	400-300-10M
12m / 39.4' 2-lead cable with connector	400-300-12M
15m / 49.1' 2-lead cable with connector	400-300-15M
20m / 65.6' 2-lead cable with connector	400-300-20M



Rev1 07/02/2018 Adding the Low Profile Base and PRO series sheet.

**300-115 Single, 360° Green light for vessels above 50 meter, 400-034 Promount, Cable Down.**

DRAWING NO.: <b>300-115BD</b>	REV. NO.: <b>1</b>	SIZE: <b>A3</b>	DRAWN BY: <b>Sergio</b>
SCALE: <b>1:1</b>	TOLERANCES: <b>DS/ISO 2768-f</b>	REVIEWED BY:	CREATION DATE: <b>05-12-2014</b>

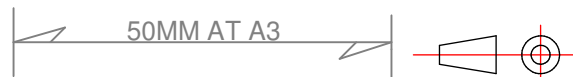
MATERIAL DESCRIPTION:  
**Alu EN 6082, Acrylic.** (20µ) Silver anodized according to EN ISO 7599 (50µ) Black anodized according to MIL-A 8625F

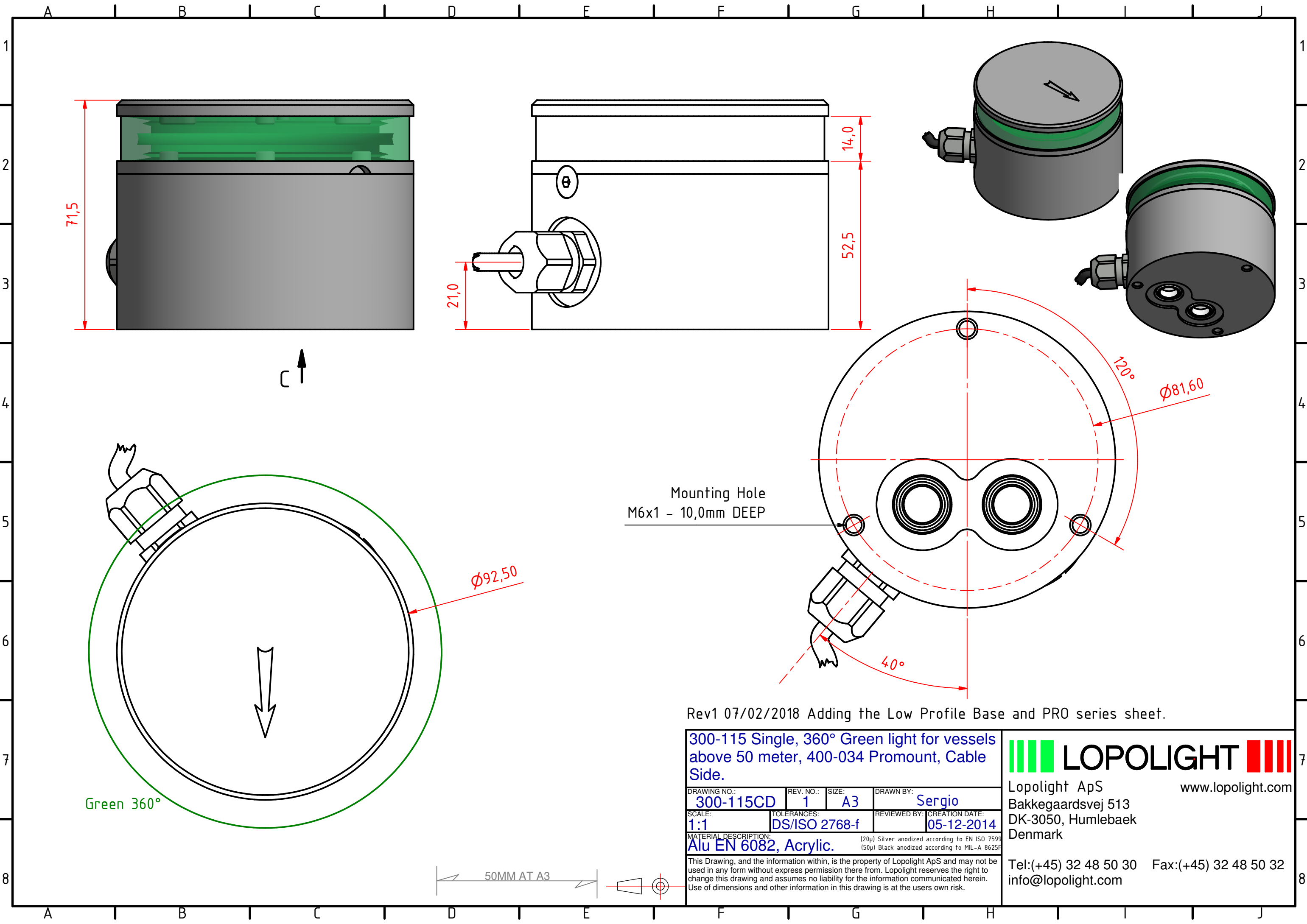
This Drawing, and the information within, is the property of Lopolight ApS and may not be used in any form without express permission there from. Lopolight reserves the right to change this drawing and assumes no liability for the information communicated herein. Use of dimensions and other information in this drawing is at the users own risk.



Lopolight ApS  
Bakkegaardsvej 513  
DK-3050, Humlebaek  
Denmark  
www.lopolight.com

Tel:(+45) 32 48 50 30 Fax:(+45) 32 48 50 32  
info@lopolight.com





Rev1 07/02/2018 Adding the Low Profile Base and PRO series sheet.

**300-115 Single, 360° Green light for vessels above 50 meter, 400-034 Promount, Cable Side.**

DRAWING NO.:	REV. NO.:	SIZE:	DRAWN BY:
300-115CD	1	A3	Sergio
SCALE:	TOLERANCES:	REVIEWED BY:	CREATION DATE:
1:1	DS/ISO 2768-f		05-12-2014
MATERIAL DESCRIPTION:			
Alu EN 6082, Acrylic. (20µ) Silver anodized according to EN ISO 7599 (50µ) Black anodized according to MIL-A 8625F			

This Drawing, and the information within, is the property of Lopolight ApS and may not be used in any form without express permission there from. Lopolight reserves the right to change this drawing and assumes no liability for the information communicated herein. Use of dimensions and other information in this drawing is at the users own risk.

**LOPOLIGHT**

Lopolight ApS www.lopolight.com

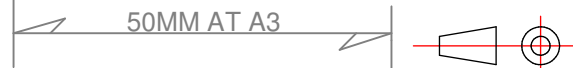
Bakkegaardsvej 513

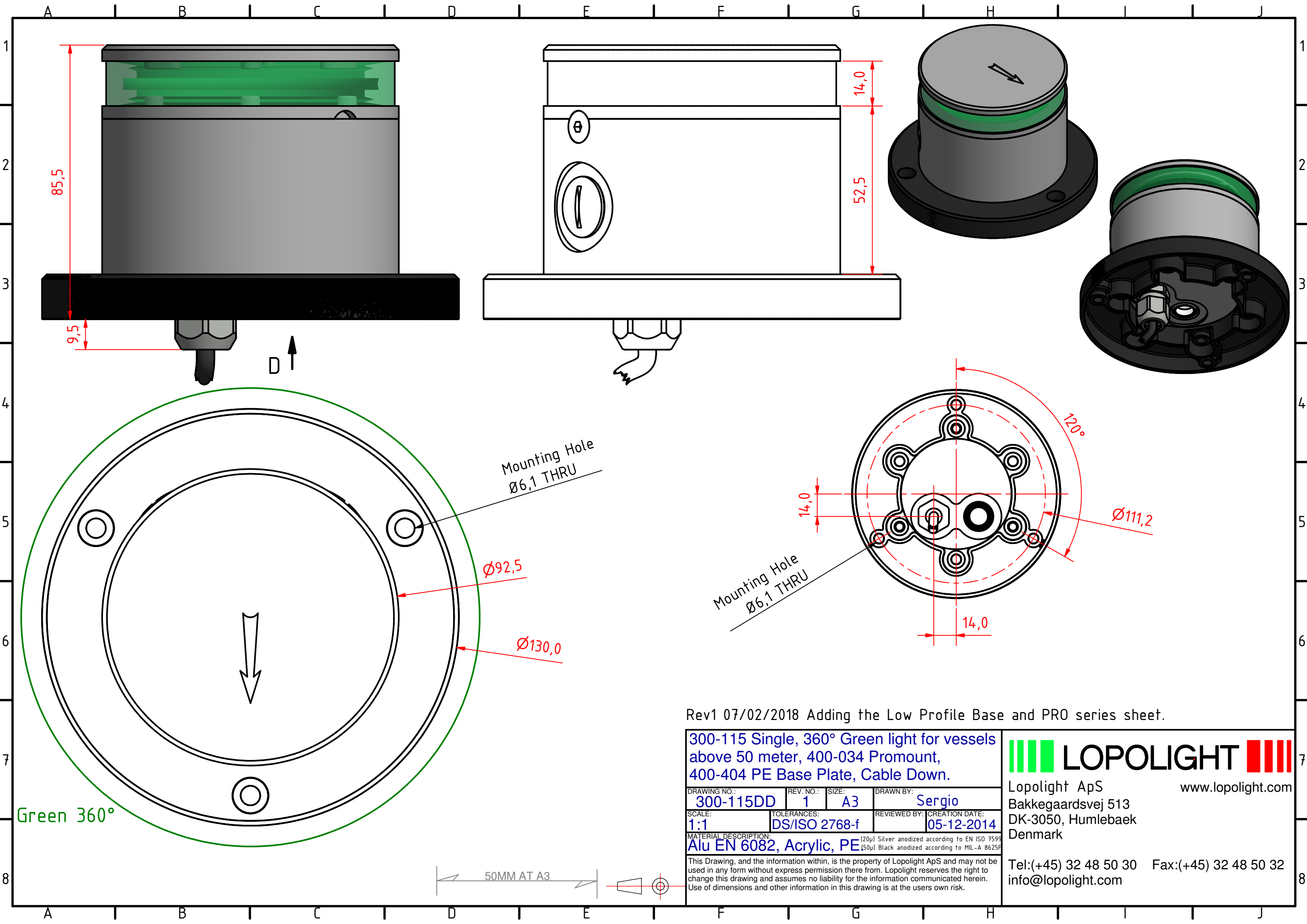
DK-3050, Humlebaek

Denmark

Tel:(+45) 32 48 50 30 Fax:(+45) 32 48 50 32

info@lopolight.com





Rev1 07/02/2018 Adding the Low Profile Base and PRO series sheet.

**300-115 Single, 360° Green light for vessels above 50 meter, 400-034 Promount, 400-404 PE Base Plate, Cable Down.**

DRAWING NO.:	REV. NO.:	SIZE:	DRAWN BY:
300-115DD	1	A3	Sergio
SCALE:	TOLERANCES:	REVIEWED BY:	CREATION DATE:
1:1	DS/ISO 2768-f		05-12-2014

**Alu EN 6082, Acrylic, PE** (20µ) Silver anodized according to EN ISO 7599 (50µ) Black anodized according to MIL-A 8625F

This Drawing, and the information within, is the property of Lopolight ApS and may not be used in any form without express permission there from. Lopolight reserves the right to change this drawing and assumes no liability for the information communicated herein. Use of dimensions and other information in this drawing is at the users own risk.

## LOPOLIGHT

Lopolight ApS www.lopolight.com

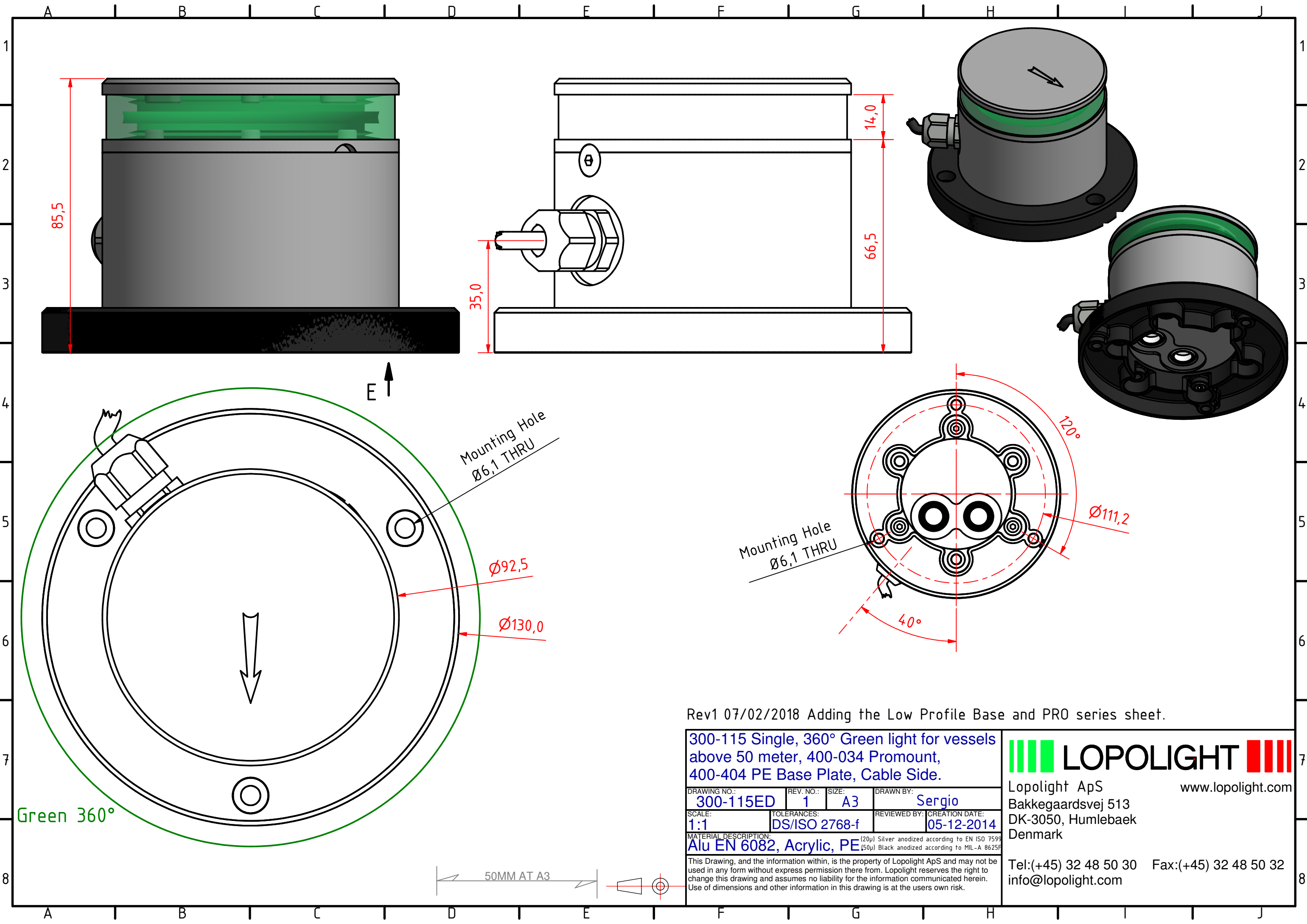
Bakkegaardsvej 513

DK-3050, Humlebaek

Denmark

Tel:(+45) 32 48 50 30 Fax:(+45) 32 48 50 32

info@lopolight.com



Rev1 07/02/2018 Adding the Low Profile Base and PRO series sheet.

**300-115 Single, 360° Green light for vessels above 50 meter, 400-034 Promount, 400-404 PE Base Plate, Cable Side.**

DRAWING NO.: <b>300-115ED</b>	REV. NO.: <b>1</b>	SIZE: <b>A3</b>	DRAWN BY: <b>Sergio</b>
SCALE: <b>1:1</b>	TOLERANCES: <b>DS/ISO 2768-f</b>	REVIEWED BY:	CREATION DATE: <b>05-12-2014</b>

**Alu EN 6082, Acrylic, PE** (20µ) Silver anodized according to EN ISO 7599 (50µ) Black anodized according to MIL-A 8625F

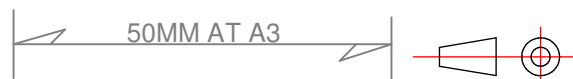
This Drawing, and the information within, is the property of Lopolight ApS and may not be used in any form without express permission there from. Lopolight reserves the right to change this drawing and assumes no liability for the information communicated herein. Use of dimensions and other information in this drawing is at the users own risk.

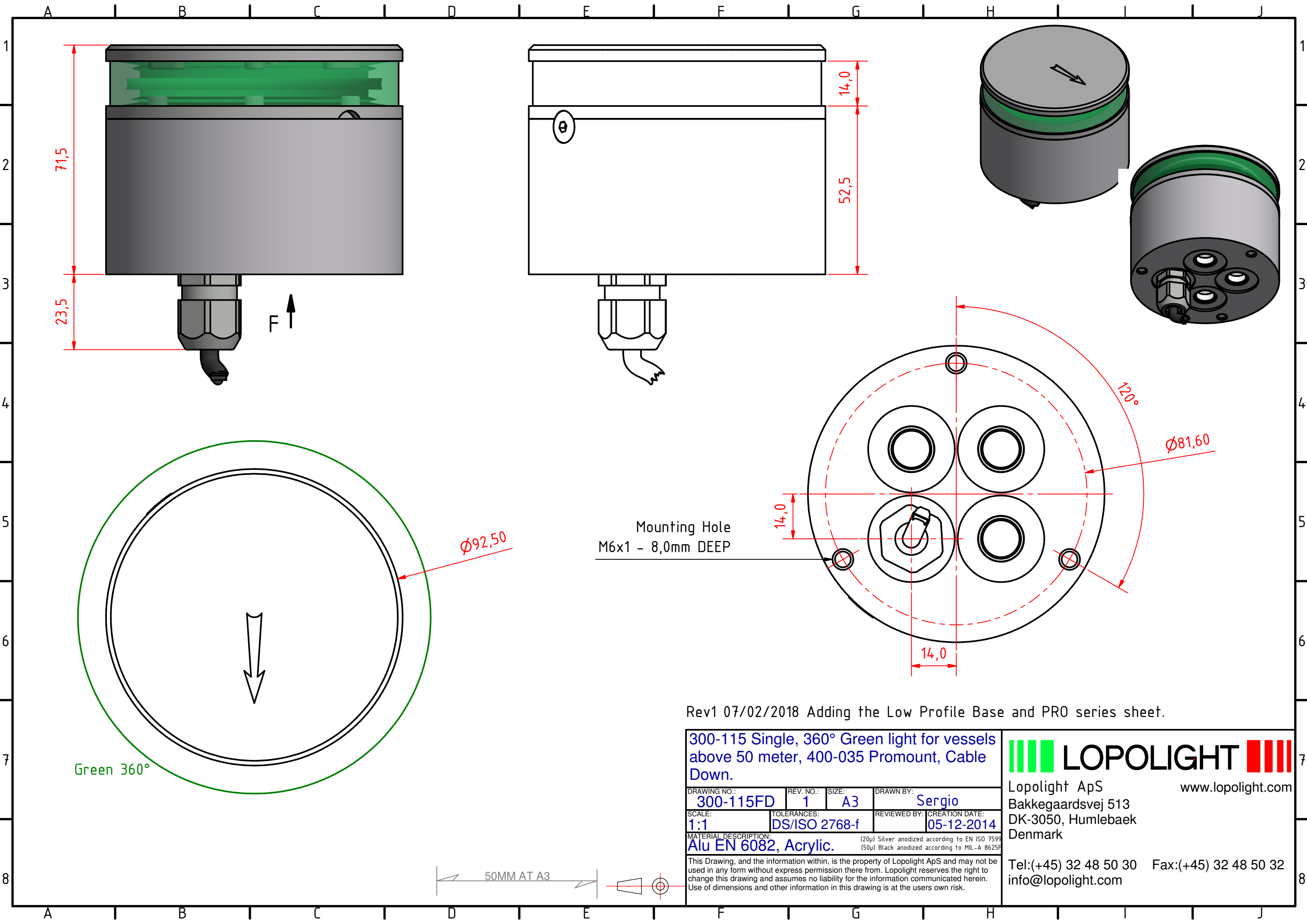


Lopolight ApS  
Bakkegaardsvej 513  
DK-3050, Humlebaek  
Denmark

[www.lopolight.com](http://www.lopolight.com)

Tel:(+45) 32 48 50 30 Fax:(+45) 32 48 50 32  
info@lopolight.com





Rev1 07/02/2018 Adding the Low Profile Base and PRO series sheet.

**300-115 Single, 360° Green light for vessels above 50 meter, 400-035 Promount, Cable Down.**

DRAWING NO.: <b>300-115FD</b>	REV. NO.: <b>1</b>	SIZE: <b>A3</b>	DRAWN BY: <b>Sergio</b>
SCALE: <b>1:1</b>	TOLERANCES: <b>DS/ISO 2768-f</b>	REVIEWED BY:	CREATION DATE: <b>05-12-2014</b>

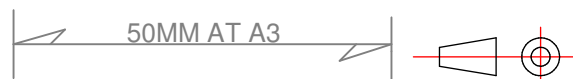
MATERIAL DESCRIPTION:  
**Alu EN 6082, Acrylic.** (20µ) Silver anodized according to EN ISO 7599 (50µ) Black anodized according to MIL-A 8625F

This Drawing, and the information within, is the property of Lopolight ApS and may not be used in any form without express permission there from. Lopolight reserves the right to change this drawing and assumes no liability for the information communicated herein. Use of dimensions and other information in this drawing is at the users own risk.

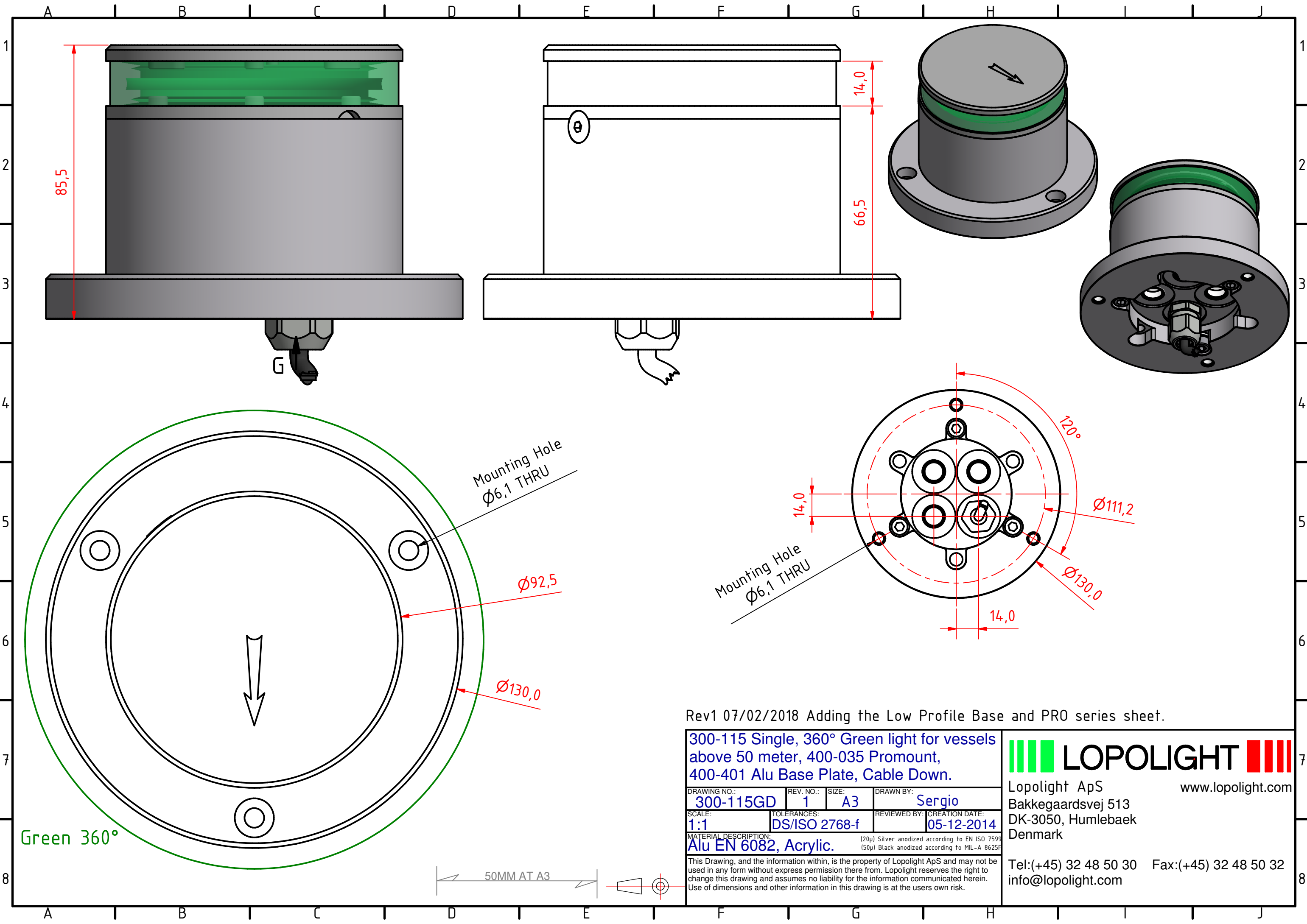


**LOPOLIGHT**  
Lopolight ApS  
Bakkegaardsvej 513  
DK-3050, Humlebaek  
Denmark  
www.lopolight.com

Tel:(+45) 32 48 50 30 Fax:(+45) 32 48 50 32  
info@lopolight.com







Rev1 07/02/2018 Adding the Low Profile Base and PRO series sheet.

**300-115 Single, 360° Green light for vessels above 50 meter, 400-035 Promount, 400-401 Alu Base Plate, Cable Down.**

DRAWING NO.:	REV. NO.:	SIZE:	DRAWN BY:
300-115GD	1	A3	Sergio
SCALE:	TOLERANCES:	REVIEWED BY:	CREATION DATE:
1:1	DS/ISO 2768-f		05-12-2014

MATERIAL DESCRIPTION:  
 Alu EN 6082, Acrylic. (20µ) Silver anodized according to EN ISO 7599 (50µ) Black anodized according to MIL-A 8625F

This Drawing, and the information within, is the property of Lopolight ApS and may not be used in any form without express permission there from. Lopolight reserves the right to change this drawing and assumes no liability for the information communicated herein. Use of dimensions and other information in this drawing is at the users own risk.



**LOPOLIGHT**  
 Lopolight ApS  
 Bakkegaardsvej 513  
 DK-3050, Humlebaek  
 Denmark  
[www.lopolight.com](http://www.lopolight.com)

Tel:(+45) 32 48 50 30 Fax:(+45) 32 48 50 32  
 info@lopolight.com



Green 360°